

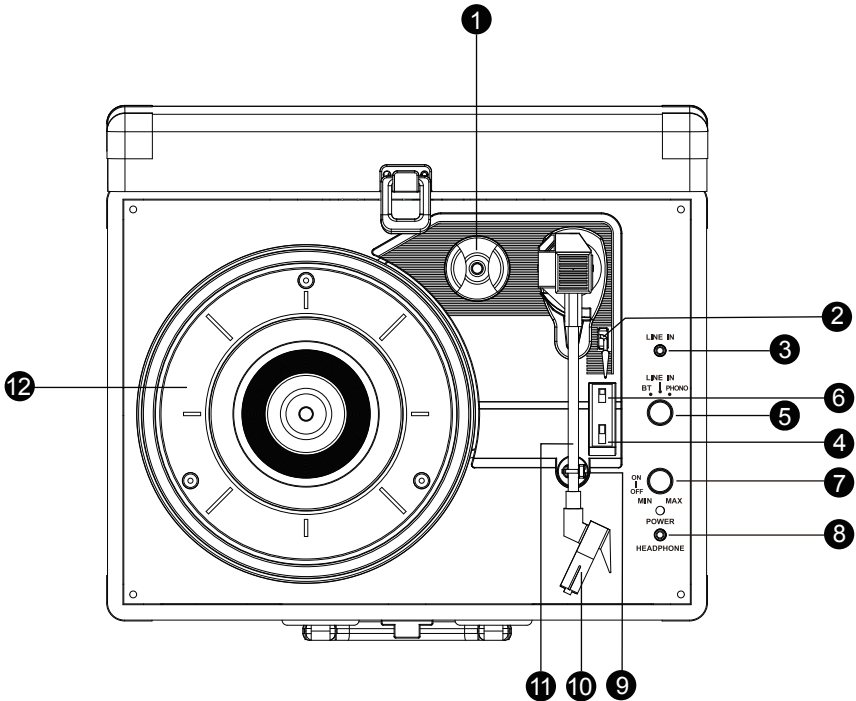
Retro Suitcase Turntable with Bluetooth
User Manual
Model: R609

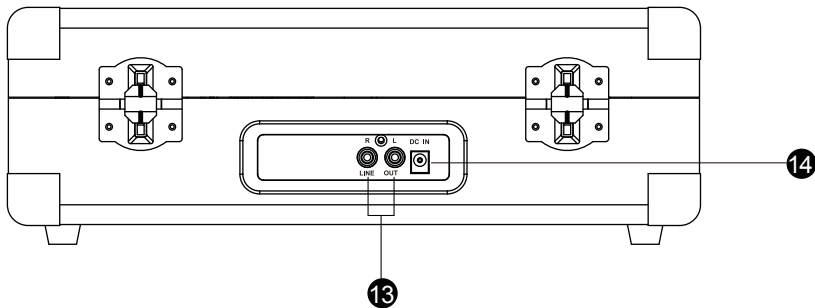


BEFORE USE

1. Read these instructions
2. Follow all instructions
3. Choose a safe location and avoid placing the unit in direct sunlight or near any heat source.
4. Avoid locations subject to vibrations, excessive dust, cold or moisture.
5. Do not open the cabinet as this may result in electrical shock. If a foreign object is inserted accidentally contact your dealer.
6. Do not attempt to clean the unit with chemical solvents as this might damage the finishing. A clean, dry cloth is recommended for cleaning.
7. Clean only with dry cloth
8. Keep this manual for future reference.

Briefcase Turntable Parts & Features





1. 45 RPM adapter holder – Holds the included 45 RPM adapter. When not using the adapter, please place it in this holder
2. Lift lever
3. Line in port
4. 33 / 45/78 RPM switch – This switch controls the RPM of the turntable platter.
5. Function switch knob
6. AUTO STOP ON/OFF switch
7. Power on/off and volume control knob
8. Headphone jack – connect your headphone or earphone for private listening
9. Tone arm lock
10. Ceramic cartridge
11. Tone arm
12. Platter – Place your record here. Please use the 45 RPM adapter, if the spindle is the incorrect size
13. RCA output – Use to connect to external speakers (not included)
14. DC IN jack

Getting Started

Firmly and securely insert the DC plug of the adaptor to the DC IN Jack on the back of the unit.

Plug the adaptor's AC plugs into a power outlet.

CAUTION

TO PREVENT ELECTRIC SHOCK, MATCH WIDE BLADE OF PLUG TO WIDE SLOT. FULLY INSERT THE PLUG TO MAIN POWER SOCKET.

Phono Mode

1. Switch the function switch knob[5] to PHONO mode. Turn on the power switch[7]. The power indicator will become red color.
2. Place a record on the turntable platter and select the desired speed (33/45/78)[4] according to the record. NOTE: when playing a 45 rpm record, use the included 45 rpm adapter[1] located in the holder near the tone arm.

3. Take off the white protective cover of the cartridge and open the tone arm clip[9] to release the tone arm[11]. Push the lift lever[2] backward to raise the tone arm and gently move the tone arm to the desired position over the record. The turntable will begin to spin when the arm is moved toward the record. Push the lift lever forward lower the tone arm slowly onto the desired position on the record to begin playing the record. Please note: The record will begin to spin only when the tone arm is moved over the record if the Auto Stop[6] is turned on.
4. Turn the VOLUME CONTROL KNOB[7] to adjust the volume.
5. If the Auto Stop Control Switch[6] is turned ON, the record will stop automatically when finished. If Auto Stop Control Switch is turned OFF, the record will NOT stop automatically when finished.

Remark: AUTO STOP function applies to most 33RPM vinyl records. However, for very few vinyl records, it will stop when it does not come to the end, or it will not stop when it comes to the end when Auto stop is ON.

Bluetooth Mode

1. Switch the function switch knob[5] to BT. The power indicator will become blue color with flashing.
2. Turn on your Bluetooth function on your mobile phone or tablet PC and then search the turntable player with its name **Vintage Turntable**. After pairing and connection, the power indicator will become blue color without flashing, and you can play your music of your mobile phone or tablet PC on this turntable player. The Bluetooth wireless connection distance is generally 10 meters without any obstacles.
3. Turn the VOLUME CONTROL KNOB[7] to adjust the volume. (The mobile phone or tablet PC's volume control may also impact the volume level so ensure that it is also turned up.)

AUX IN Mode

1. Switch the function switch knob to LINE IN mode.
2. Connect your iPod, MP3 player, mobile phones etc. to the AUX IN port with a 3.5mm-3.5mm audio cable (not included).
3. You can enjoy the music of iPod, MP3 player, mobile phones etc. at the turntable player.
4. Rotary the volume knob to adjust the volume. (iPod, MP3 player, mobile phones' volume control may also impact the volume level so ensure that it is also turned up.)

MUSIC playback on your own speaker system

1. Connect your own speaker system to the RCA port with a RCA-3.5mm audio cable (not included).
2. You can enjoy the music of the vinyl records at your own speaker system.

MUSIC playback on your headphone

Connect your headphone to the headphone port. You can enjoy the music of the vinyl records via your headphone.

TIPS TO BETTER TURNTABLE PERFORMANCE

1. When opening or closing the turntable cover, handle it gently, gripping it either at the centre or at each side.
2. Do not touch the needle tip with your fingers; avoid bumping the needle against the turntable platter or record edge.
3. Frequently clean the needle tip-use a soft brush in a “back-to-front” motion only.
4. If you must use a needle cleaning fluid, use very sparingly.
5. Gently wipe the dust cover and turntable housing with a soft cloth. Use only a small amount of mild detergent to clean the turntable and dust cover.
6. Never apply harsh chemicals or solvents to any part of the turntable system.

How to Replace the Turntable Stylus (Needle)

Removing the Stylus from the Cartridge

1. Place a screwdriver at the tip of the stylus and push downward as shown in direction “A”.
2. Remove the stylus by pulling the stylus forward and pushing downward.

Installing the Stylus

1. Hold the tip of the stylus and insert the stylus by pressing as shown in direction “B”.
2. Push the stylus upward as in direction "C" until the stylus locks into the tip position.



